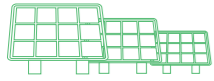




- They have low contact resistance and high reliability.
- solar connectors prevent the leakage of harmful substances and do not cause pollution to the environment.
- They effectively reduce losses in the wiring harness and improve system efficiency.
- They have comprehensive safety features that effectively prevent hazards such as short circuits, overloads, and overheating.



Solar DC Connector



Solar DC Connector

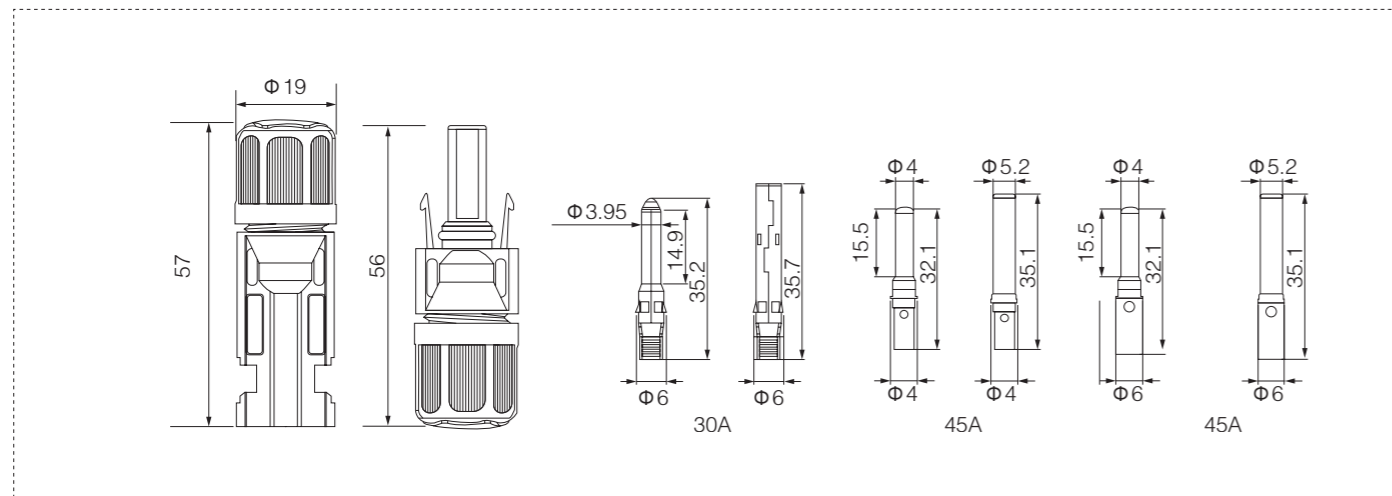
PV-30A(1000V) PV-45A(1000V)



TECHNICAL DATA

Connector system	Φ2.5mm; Φ4mm; Φ6mm
Rated voltage	1000V DC
Rated current	30A(2.5mm ² ;4mm ² ; 6mm ² ; 14AWG; 12AWG; 10AWG) 45A(4mm ² ; 6mm ² ; 12AWG; 10AWG)
Test voltage	6kV(50HZ,1min.)
Ambient temperature range	-40°C ...+90°C (IEC) -40°C ...+75°C (UL)
Upper limiting temperature	+105°C (IEC)
Degree of protection,mated	IP67
unmated	IP2X
Contact resistanceof plug connectors	0.5mΩ
Safetyclass	II
Contact material	Messing,verzinkt Copper Alloy,tin plated
Insulation material	PC/PPO
Locking system	Snap-in
Flame class	UL-94-Vo
Salt mist spray test,degree of severity 5	IEC 60068-2-52

DIMENSIONAL DRAWING(MM)



Solar DC Connector

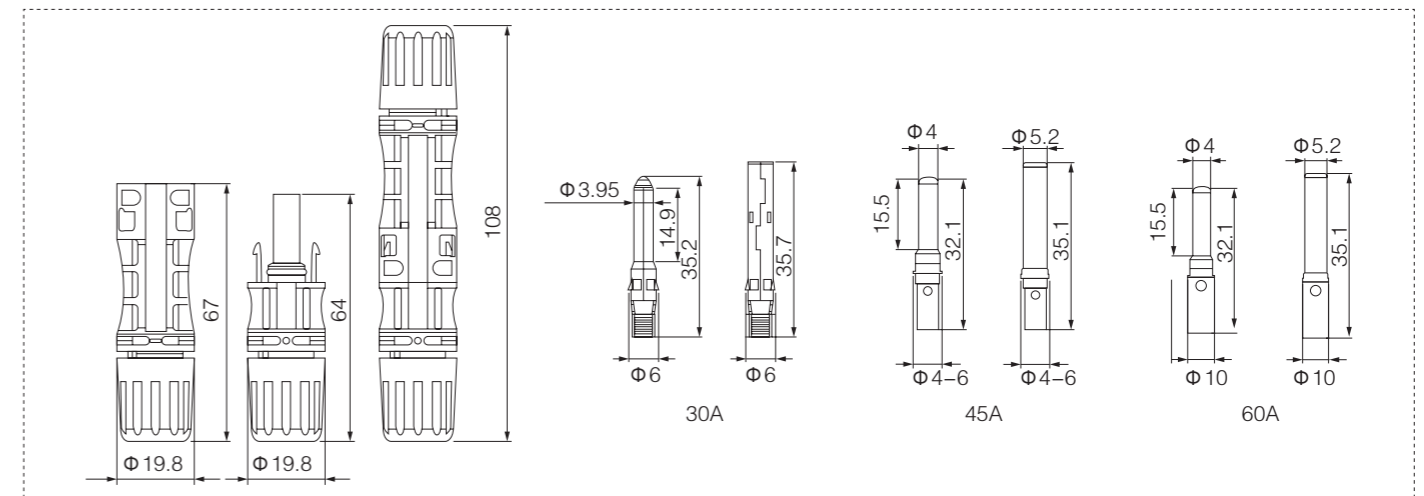
PV-30A(1500V) PV-45A(1500V) PV-60A(1500V)

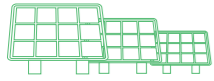


TECHNICAL DATA

Connector system	Φ2.5mm; Φ4mm; Φ6mm; Φ10mm
Rated voltage	1500V DC
Rated current	30A(2.5mm ² ;4mm ² ; 6mm ² ; 14AWG; 12AWG; 10AWG) 45A(4mm ² ; 6mm ² ; 12AWG;10AWG) 60A(10mm ² ; 8AWG)
Test voltage	6kV(50HZ,1min.)
Ambient temperature range	-40°C ...+90°C (IEC) -40°C ...+75°C (UL)
Upper limiting temperature	+105°C (IEC)
Degree of protection,mated	IP67
unmated	IP2X
Contact resistanceof plug connectors	0.5mΩ
Safetyclass	II
Contact material	Messing,verzinkt Copper Alloy,tin plated
Insulation material	PC/PV
Locking system	Snap-in
Flame class	UL-94-V0
Salt mist spray test,degree of severity 5	IEC 60068-2-52

DIMENSIONAL DRAWING(MM)





Solar DC Connector

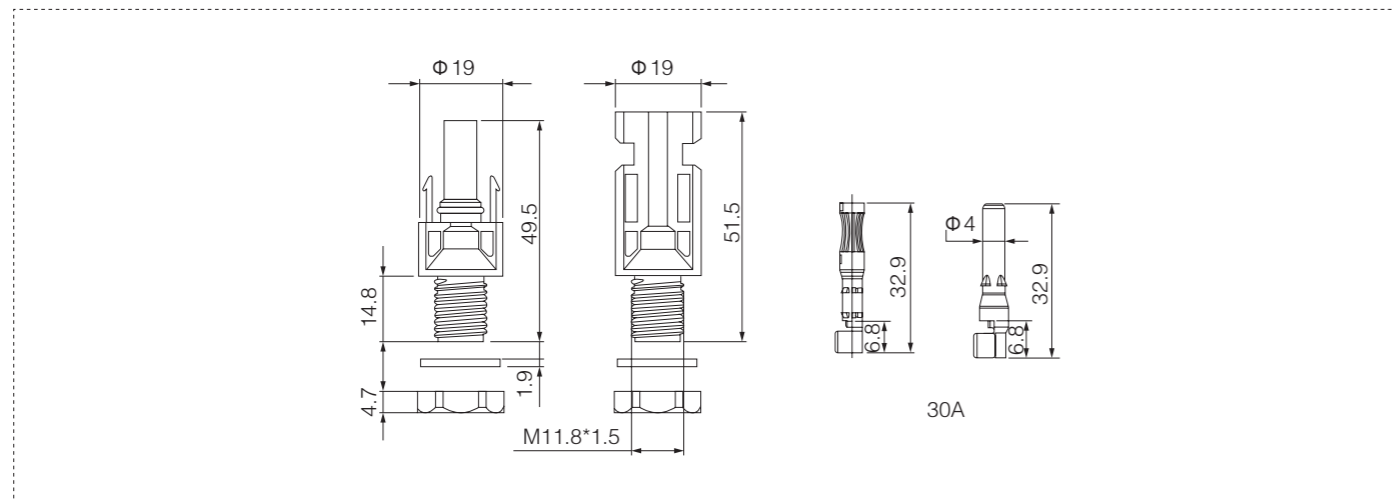
PV-30A(1000V)-BD



TECHNICAL DATA

Connector system	Φ2.5mm; Φ4mm; Φ6mm; Φ10mm
Rated voltage	1000V DC
Rated current	30A(2.5mm ² ;4mm ² ; 6mm ² ; 14AWG; 12AWG; 10AWG) 45A(4mm ² ; 6mm ² ; 12AWG; 10AWG)
Test voltage	6kV(50HZ,1min.)
Ambient temperature range	-40°C ...+90°C (IEC) -40°C ...+75°C (UL)
Upper limiting temper ature	+105°C (IEC)
Degree of protection,mated	IP67
unmated	IP2X
Comtact resistanceof plug connectors	0.5mΩ
Safetyclass	II
Contact material	Messing,verzintt Copper Alloy,tin plated
Insulation material	PC/PPO
Locking system	Snap-in
Flame class	UL-94-Vo
Salt mist spray test,degree of severity 5	IEC 60068-2-52

DIMENSIONAL DRAWING(MM)



Solar DC Connector

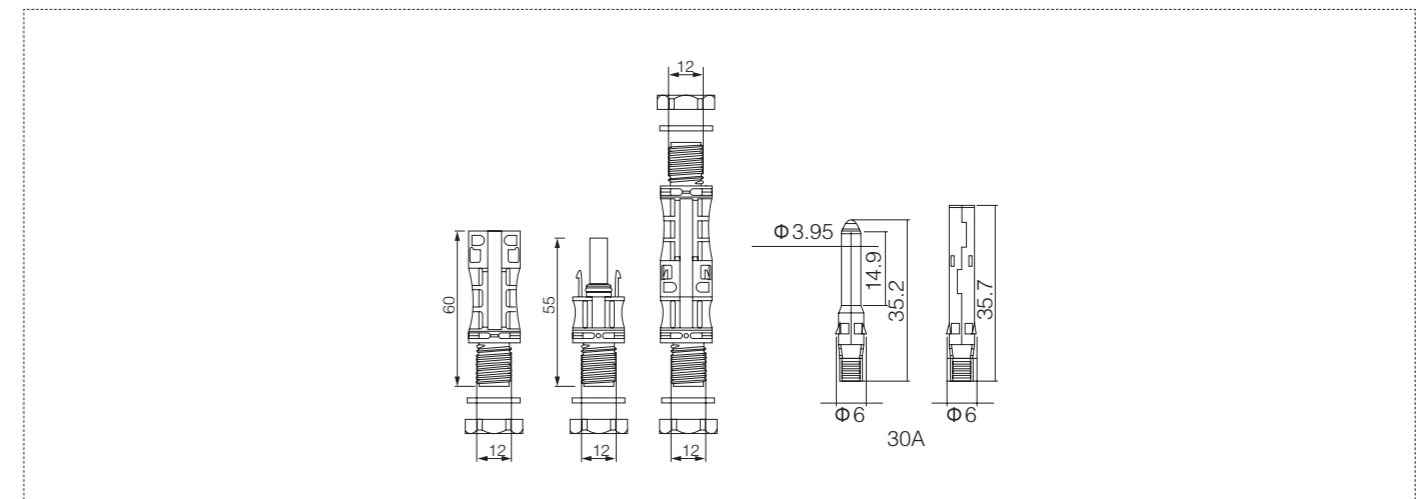
PV-30A(1500V)-BD

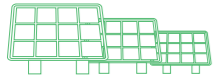


TECHNICAL DATA

Connector system	Φ2.5mm; Φ4mm; Φ6mm; Φ10mm
Rated voltage	1000V DC
Rated current	30A(2.5mm ² ;4mm ² ; 6mm ² ; 14AWG; 12AWG; 10AWG)
Test voltage	6kV(50HZ,1min.)
Ambient temperature range	-40°C ...+90°C (IEC) -40°C ...+75°C (UL)
Upper limiting temper ature	+105°C (IEC)
Degree of protection,mated	IP67
unmated	IP2X
Comtact resistanceof plug connectors	0.5mΩ
Safetyclass	II
Contact material	Messing,verzintt Copper Alloy,tin plated
Insulation material	PC/PV
Locking system	Snap-in
Flame class	UL-94-V0
Salt mist spray test,degree of severity 5	IEC 60068-2-52

DIMENSIONAL DRAWING(MM)





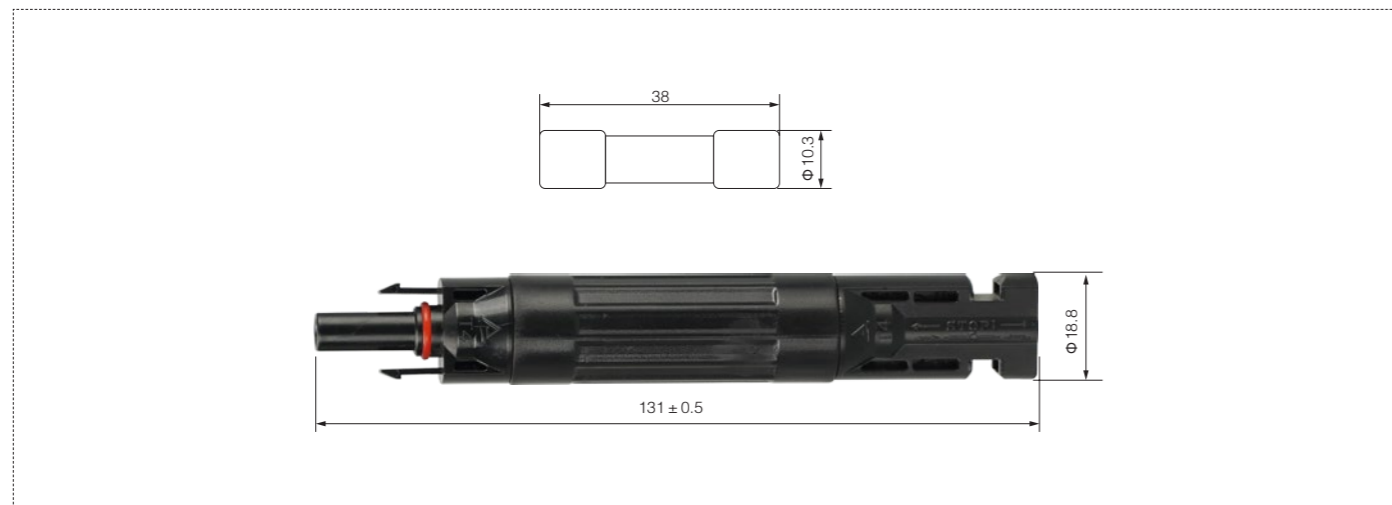
Solar DC Connector PV-30A(1000V)-FUSE



TECHNICAL DATA

Connector system	Φ4mm
Rated voltage	1000V DC
Rated current	10A 15A 20A 25A 30A
Test voltage	6kV(50HZ,1min.)
Ambient temperature range	-40°C ...+90°C (IEC)
Upper limiting temperature	+105°C (IEC)
Degree of protection,mated	IP67
unmated	IP2X
Contact resistanceof plug connectors	0.5mΩ
Safetyclass	II
Contact material	Messing,verzinkt Copper Alloy,tin plated
Insulation material	PC/PPO
Locking system	Snap-in
Flame class	UL-94-Vo
Salt mist spray test,degree of severity 5	IEC 60068-2-52

DIMENSIONAL DRAWING(MM)



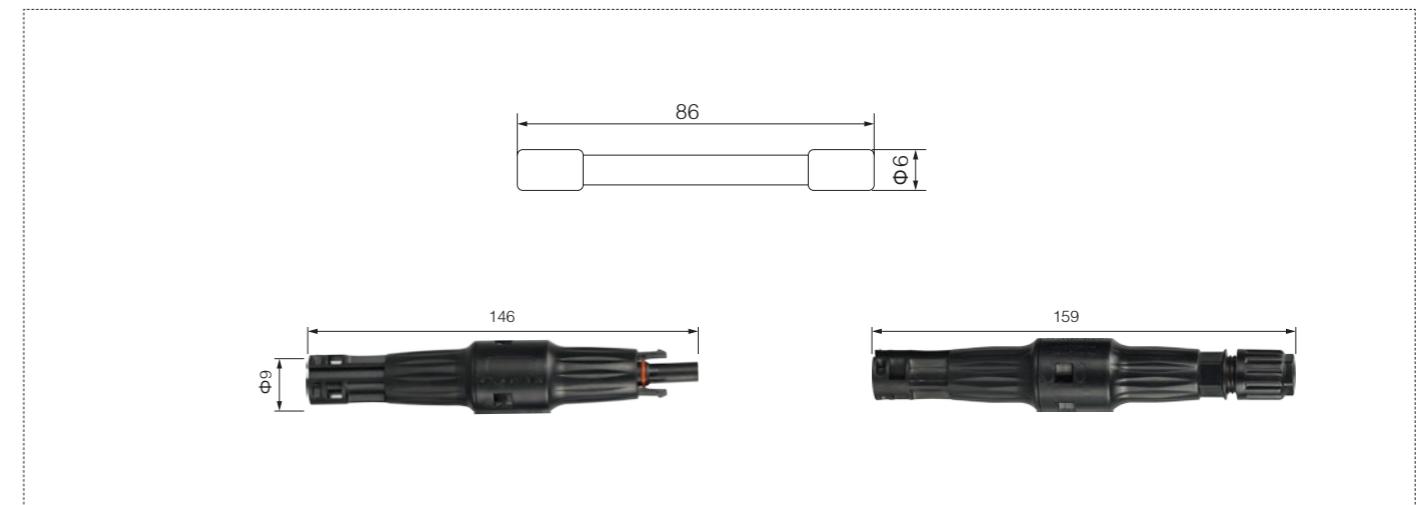
Solar DC Connector PV-30A(1500V)-FUSE

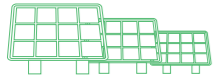


TECHNICAL DATA

Connector system	Φ4mm
Rated voltage	1500V DC
Rated current	10A 15A 20A 25A 30A
Test voltage	6kV(50HZ,1min.)
Ambient temperature range	-40°C ...+90°C (IEC) -40°C ...+75°C (UL)
Upper limiting temperature	+105°C (IEC)
Degree of protection,mated	IP67
unmated	IP2X
Contact resistanceof plug connectors	0.5mΩ
Safetyclass	II
Contact material	Messing,verzinkt Copper Alloy,tin plated
Insulation material	PC/PPO
Locking system	Snap-in
Flame class	UL-94-Vo
Salt mist spray test,degree of severity 5	IEC 60068-2-52

DIMENSIONAL DRAWING(MM)





Solar DC Connector

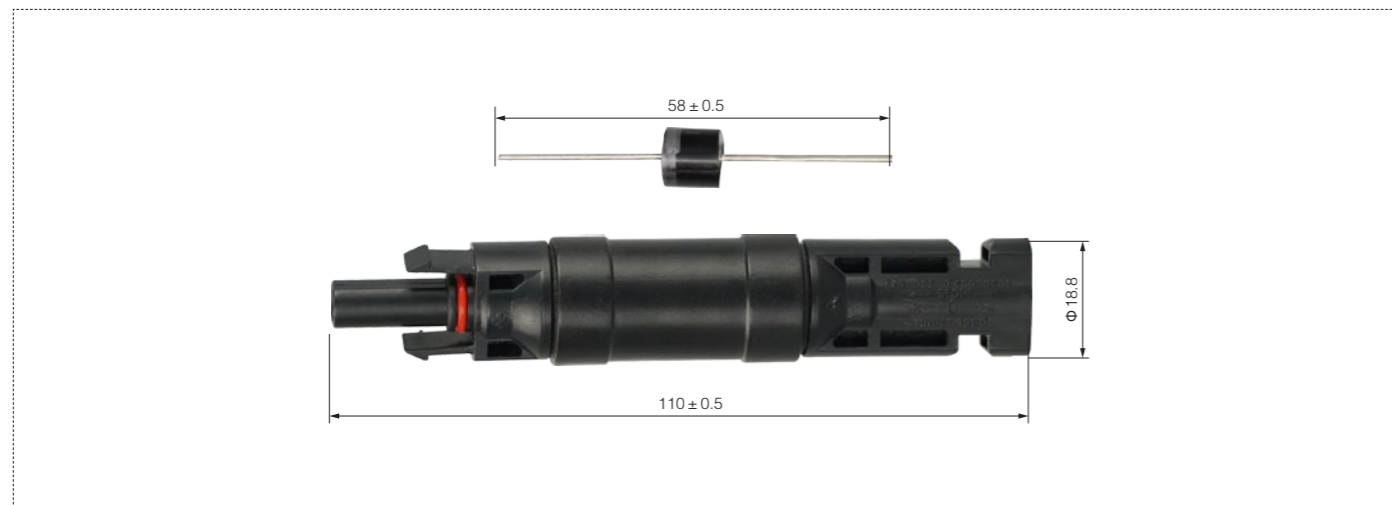
PV-30A(1000V)-diode



TECHNICAL DATA

Connector system	Φ4mm
Rated voltage	1000V DC
Rated current	10A 15A 20A 30A
Test voltage	6kV(50HZ,1min.)
Ambient temperature range	-40°C ...+90°C (IEC)
Upper limiting temperature	+105°C (IEC)
Degree of protection, mated	IP67
unmated	IP2X
Contact resistance of plug connectors	0.5mΩ
Safety class	II
Contact material	Messing, verzinkt Copper Alloy, tin plated
Insulation material	PC/PPO
Locking system	Snap-in
Flame class	UL-94-Vo
Salt mist spray test, degree of severity 5	IEC 60068-2-52

DIMENSIONAL DRAWING(MM)



Solar DC Connector

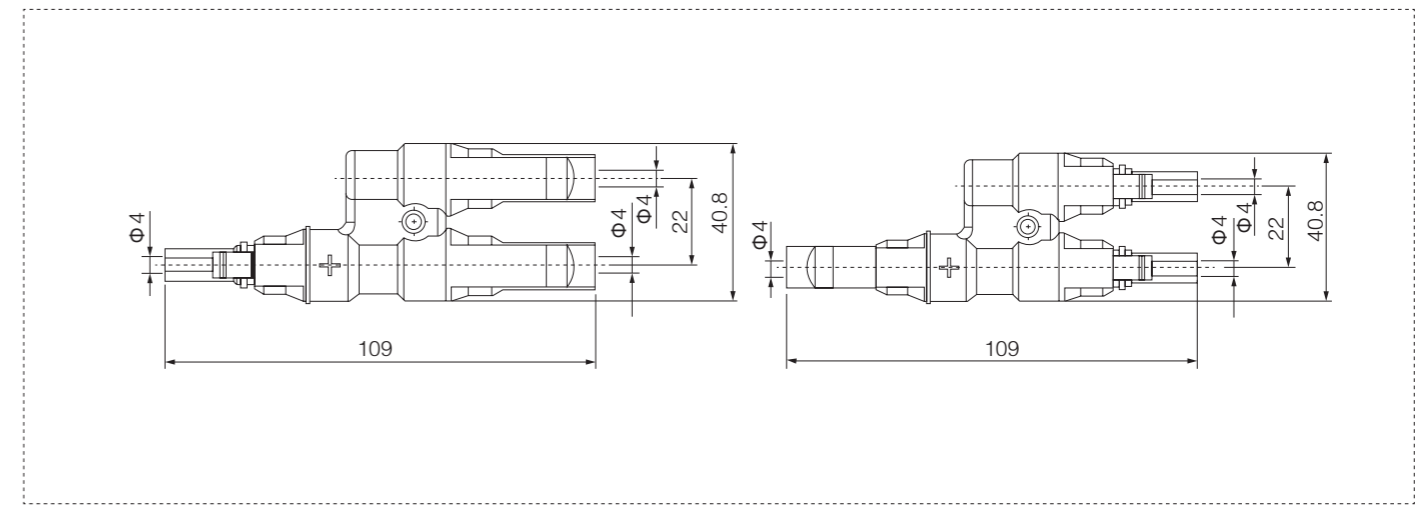
PV-T3

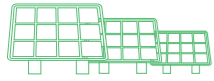


TECHNICAL DATA

Insulation Material	PPO
Contact Material	Copper, Tin plated
Suitable Current	50A
Rated Voltage	1000V DC
Test Voltage	6kV(TUV50HZ,1min)
Contact Resistance	<0.5mΩ
Degree Of Protection	IP67
Ambient Temperature Range	-40°C ~+85°C
Flame Class	UL94-VO
Safety Class	II
Pin Dimensions	Φ4mm

DIMENSIONAL DRAWING(MM)





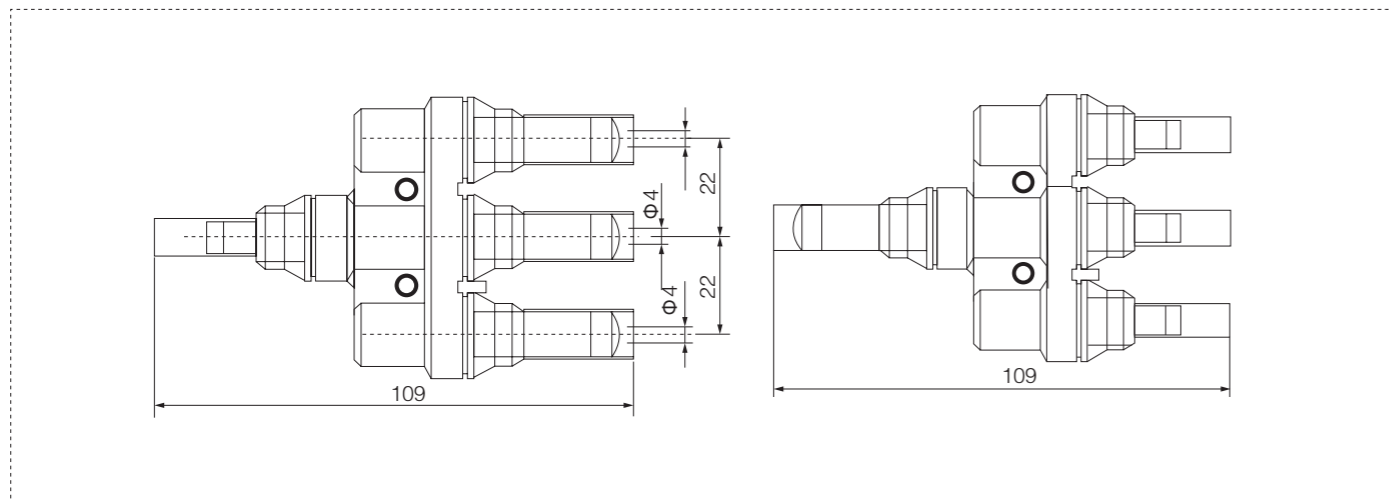
Solar DC Connector PV-T4



TECHNICAL DATA

Insulation Material	PPO
Contact Material	Copper,Tin plated
Suitable Current	50A
Rated Voltage	1000V DC
Test Voltage	6KV(TUV50HZ,1min)
Contact Resistance	<0.5mΩ
Degree Of Protection	IP67
Ambient Temperature Range	-40°C ~+85°C
Flame Class	UL94-VO
Safety Class	II
Pin Dimensions	Φ4mm

DIMENSIONAL DRAWING(MM)



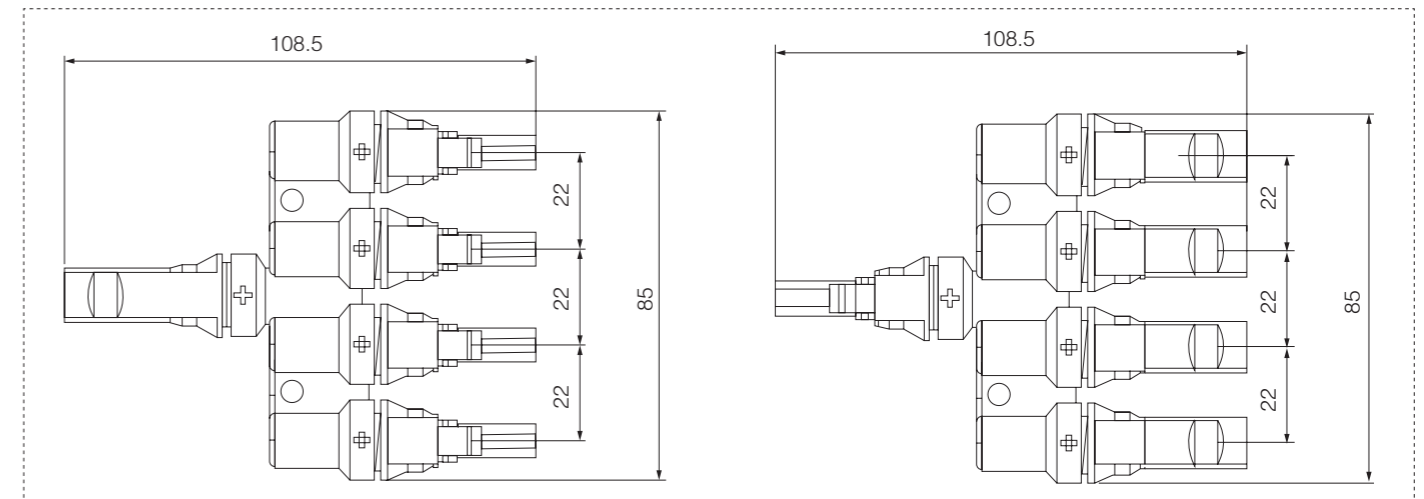
Solar DC Connector PV-T5

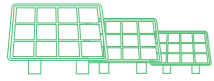


TECHNICAL DATA

Insulation Material	PPO
Contact Material	Copper,Tin plated
Suitable Current	50A
Rated Voltage	1000V DC
Test Voltage	6KV(TUV50HZ,1min)
Contact Resistance	<0.5mΩ
Degree Of Protection	IP67
Ambient Temperature Range	-40°C ~+85°C
Flame Class	UL94-VO
Safety Class	II
Pin Dimensions	Φ4mm

DIMENSIONAL DRAWING(MM)





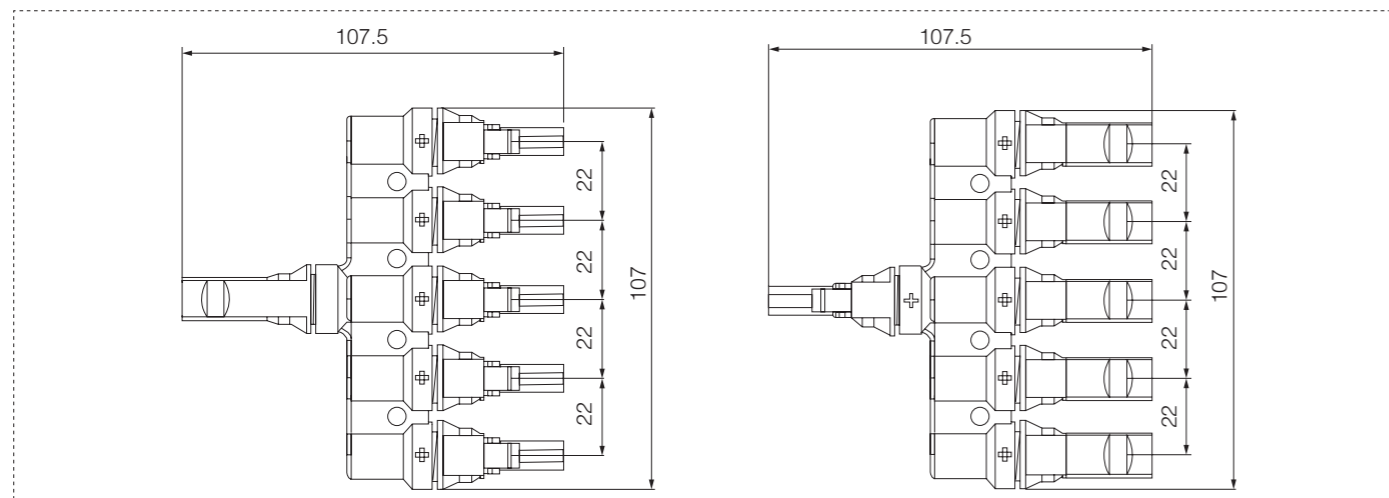
Solar DC Connector PV-T6



TECHNICAL DATA

Insulation Material	PPO
Contact Material	Copper,Tin plated
Suitable Current	50A
Rated Voltage	1000V DC
Test Voltage	6KV(TUV50HZ,1min)
Contact Resistance	<0.5mΩ
Degree Of Protection	IP67
Ambient Temperature Range	-40°C ~+85°C
Flame Class	UL 94-V0
Safety Class	II
Pin Dimensions	Φ4mm

DIMENSIONAL DRAWING(MM)



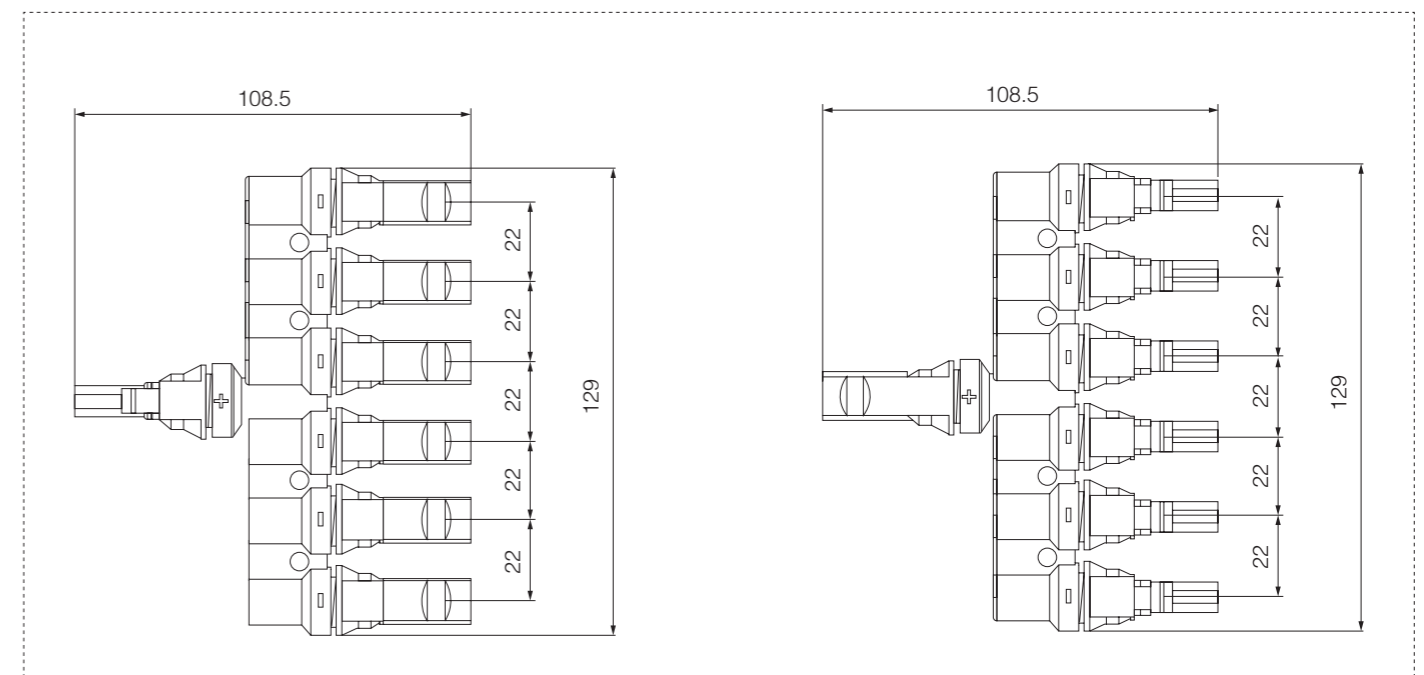
Solar DC Connector PV-T7

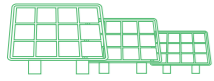


TECHNICAL DATA

Insulation Material	PPO
Contact Material	Copper,Tin plated
Suitable Current	50A
Rated Voltage	1000V DC
Test Voltage	6KV(TUV50HZ,1min)
Contact Resistance	<0.5mΩ
Degree Of Protection	IP67
Ambient Temperature Range	-40°C ~+85°C
Flame Class	UL 94-V0
Safety Class	II
Pin Dimensions	Φ4mm

DIMENSIONAL DRAWING(MM)





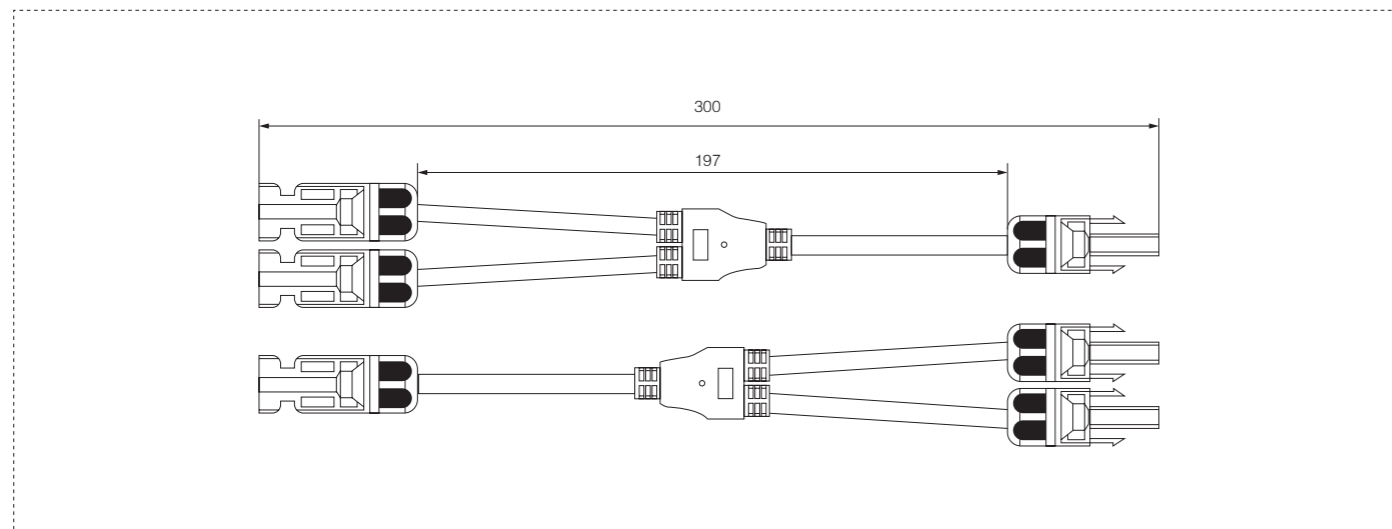
Branch Cable PV-Y3



TECHNICAL DATA

Connector system	Φ4mm; Φ6mm
Rated voltage	1000V DC
Rated current	30A
Test voltage	6kV(50HZ, 1min.)
Ambient temperature range	-40° ...+90°C (IEC) -40°C ...+75°C (UL)
Upper limiting temperature	+105°C (IEC)
Degree of protection,mated	IP67
Unmated	IP2X
Contact resistanceof plug connectors	0.5mΩ
Safetyclass	II
Contact material	Messing, verzinkt Copper Alloy,tin plated
Insulation material	PC/PA
Locking system	Snap-in
Flame class	UL-94-VO
Salt mist spray test,degree of severity 5	IEC 60068-2-52

DIMENSIONAL DRAWING(MM)



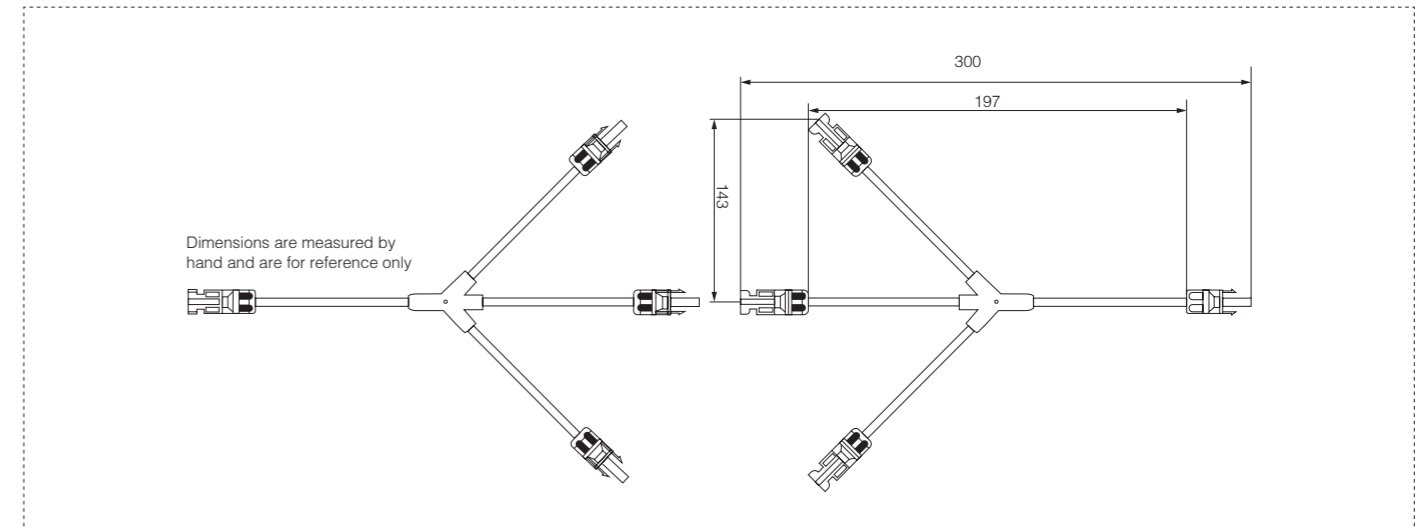
Branch Cable PV-Y4

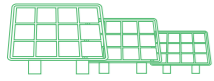


TECHNICAL DATA

Connector system	Φ4mm; Φ6mm
Rated voltage	1000V DC
Rated current	30A
Test voltage	6kV(50HZ,1min.)
Ambient temperature range	-40° ...+90°C (IEC) -40° ...+75°C (UL)
Upper limiting temperature	+105°C (IEC)
Degree of protection,mated	IP67
Unmated	IP2X
Contact resistanceof plug connectors	0.5mΩ
Safetyclass	II
Contact material	Messing,verzinkt Copper Alloy,tin plated
Insulation material	PC/PA
Locking system	Snap-in
Flame class	UL-94-VO
Salt mist spray test,degree of severity 5	IEC 60068-2-52

DIMENSIONAL DRAWING(MM)





Branch Cable

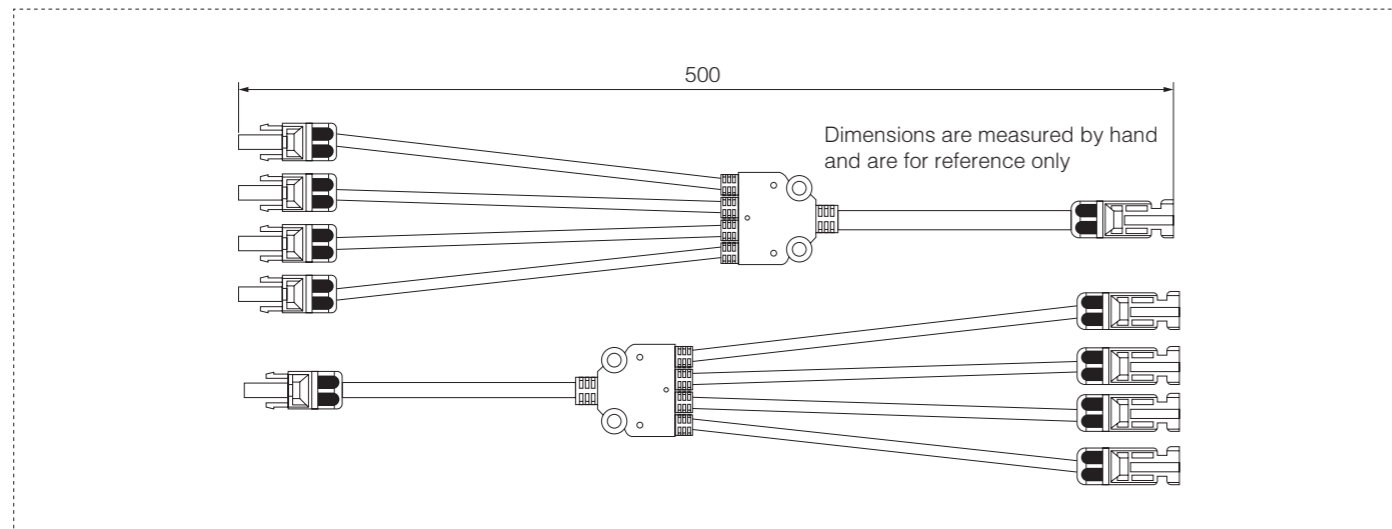
PV-Y5



TECHNICAL DATA

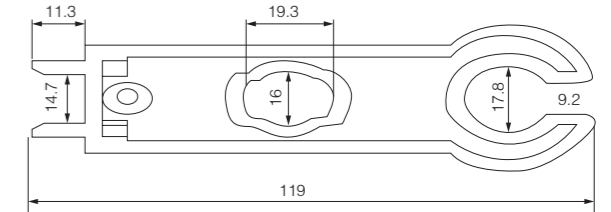
Connector system	Φ4mm; Φ6mm
Rated voltage	1000V DC
Rated current	30A
Test voltage	6kV(50HZ,1min.)
Ambient temperature range	-40° ...+90°C (IEC) -40°C ...+75°C (UL)
Upper limiting temperature	+105°C (IEC)
Degree of protection,mated	IP67
Unmated	IP2X
Contact resistance of plug connectors	0.5mΩ
Safetyclass	II
Contact material	Messing,verzinkt Copper Alloy,tin plated
Insulation material	PC/PA
Locking system	Snap-in
Flame class	UL-94-V0
Salt mist spray test,degree of severity 5	IEC 60068-2-52

DIMENSIONAL DRAWING(MM)

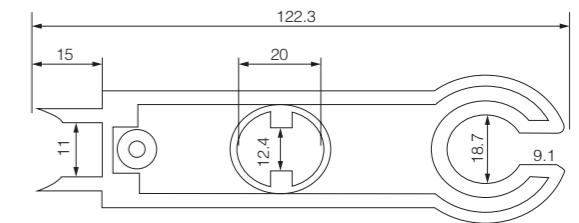


SPECIAL WRENCH

PV-1000V



PV-1500V



PV-Multifunction

